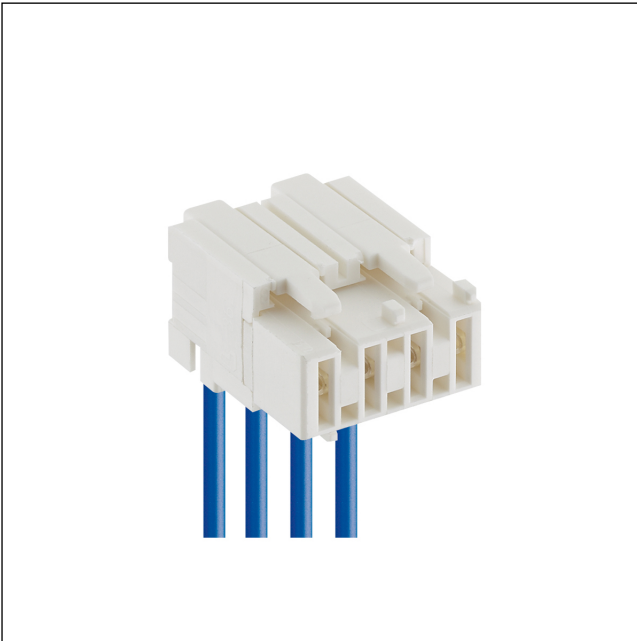


36

3625

RAST 5 connectors, pitch 5.0 mm



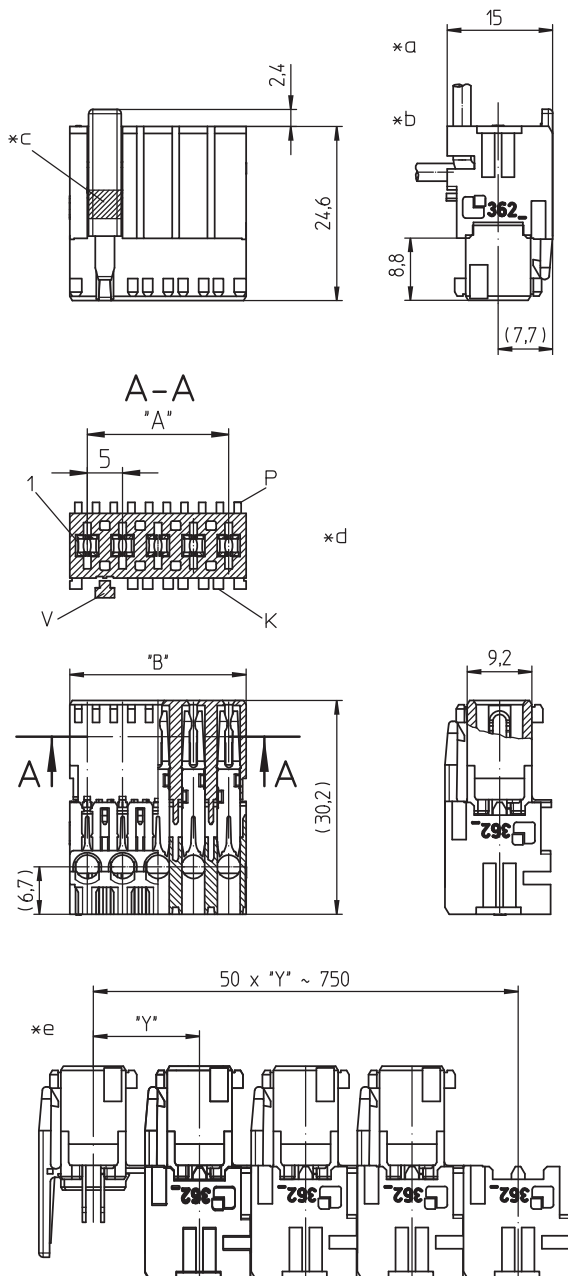
RAST 5 connector for indirect mating, insulation displacement technology (IDT), with exterior locking, consecutive placement without loss of pitch

---

Approvals:



36 3625



- \*a terminated connector
- \*b cable departure 90° or 180°
- \*c color keying option (FB) according to customer's specification
- \*d K = keying  
P = positioning  
V = lock
- \*e chaining of the component parts (state of delivery)

### Environmental conditions

Temperature range	-40 °C/+125 °C – 3625 (S...)
	-40 °C/+130 °C – 3625 M08(S...)
	-40 °C/+130 °C – 3625 M20(S...) <sup>1</sup>

<sup>1</sup> upper limit temperature (insulating body) RTI (electrical) of the UL Yellow Card


### Materials

Insulating body	PA, V-2 according to UL94 – 3625 PA, V-2 according to UL94 – 3625 M08 PA, V-0 according to UL94 – 3625 M20 <sup>1</sup>
-----------------	---


Contact spring	CuSn, silver-plated
----------------	---------------------

<sup>1</sup> M08: component glow wire resistant (GWT 750 °C), testing acc. to IEC 60335-1 (flame < 2 s)  
M20: material halogen-free, GWFI 960 °C (0.75 mm), GWIT 775 °C (0.75 mm)

### Mechanical data

Mating with	tab contact 6.3 mm x 0.8 mm according to DIN 46244
Insertion force/contact	≤ 12 N
Withdrawal force/contact	≥ 1,5 N
Keying proposals	at <a href="http://www.lumberg.com">www.lumberg.com</a> 

### Connectable conductors for IDT area

Construction	discrete conductor, notched flat cable 5.0 mm
Section min.	0,75 mm <sup>2</sup>
Section max.	1,5 mm <sup>2</sup>
Insulation diameter	≤ 3,0 mm
Approved cables	at <a href="http://www.lumberg.com">www.lumberg.com</a> 

### Electrical data (at T<sub>amb</sub> 20 °C)

Contact resistance	≤ 5 mΩ
Rated current	16 A (1.0–1.5 mm <sup>2</sup> , T <sub>amb</sub> 70 °C, VDE/ULus) 16 A (1.5 mm <sup>2</sup> , T <sub>amb</sub> 70 °C, cUL) 12 A (1.0 mm <sup>2</sup> , T <sub>amb</sub> 70 °C, cUL)
Rated voltage	250 V AC (VDE/cULus)
Material group	I (IEC)/0 (UL) (CTI ≥ 600) – 3625 IIIa (IEC)/2 (UL) (CTI ≥ 250) – 3625 M08 I (IEC)/2 (UL) (CTI ≥ 600) – 3625 M20
Creepage distance	3,6 mm
Clearance	3,6 mm
Insulation resistance	> 10 GΩ

---

**Associated products**

Counterparts

- |                             |                               |                             |
|-----------------------------|-------------------------------|-----------------------------|
| <a href="#">↗ 3641 V167</a> | <a href="#">↗ 364197 V167</a> | <a href="#">↗ 3642 V167</a> |
| <a href="#">↗ 3643 V167</a> | <a href="#">↗ 3644 V167</a>   | <a href="#">↗ 3645 V167</a> |

Harnessing equipment

- |                                       |  |                                       |
|---------------------------------------|--|---------------------------------------|
| <a href="#">↗ HA3...e</a>             | <a href="#">↗ HA36e</a>                  | <a href="#">↗ HA36e-CA</a>            |
| <a href="#">↗ HZ-M36</a>              | <a href="#">↗ HZ36-K</a>                 | <a href="#">↗ KHP36</a>               |
| <a href="#">↗ VARICON 7000</a>        | <a href="#">↗ VARICON 7000-Eco</a>       | <a href="#">↗ VARICON 7000-Eco-CR</a> |
| <a href="#">↗ VARICON 7000-Inline</a> | <a href="#">↗ VARICON 7000-Inline-CR</a> | <a href="#">↗ VARICON 7000-RD</a>     |
| <a href="#">↗ VARICON 7000-RD-CR</a>  |  |                                       |
-

36

3625

Designation	Pole Number	PU (Pieces)	MDQ (Pieces)	Dimensions	
				A (mm)	B (mm)
3625 02	2	3600	3600	5	9.9
3625 03	3	2250	2250	10	14.9
3625 04	4	1800	1800	15	19.9

Designation to be completed by further details (e.g. for keying, color or material options).

**Packaging:**

chained, in a cardboard box